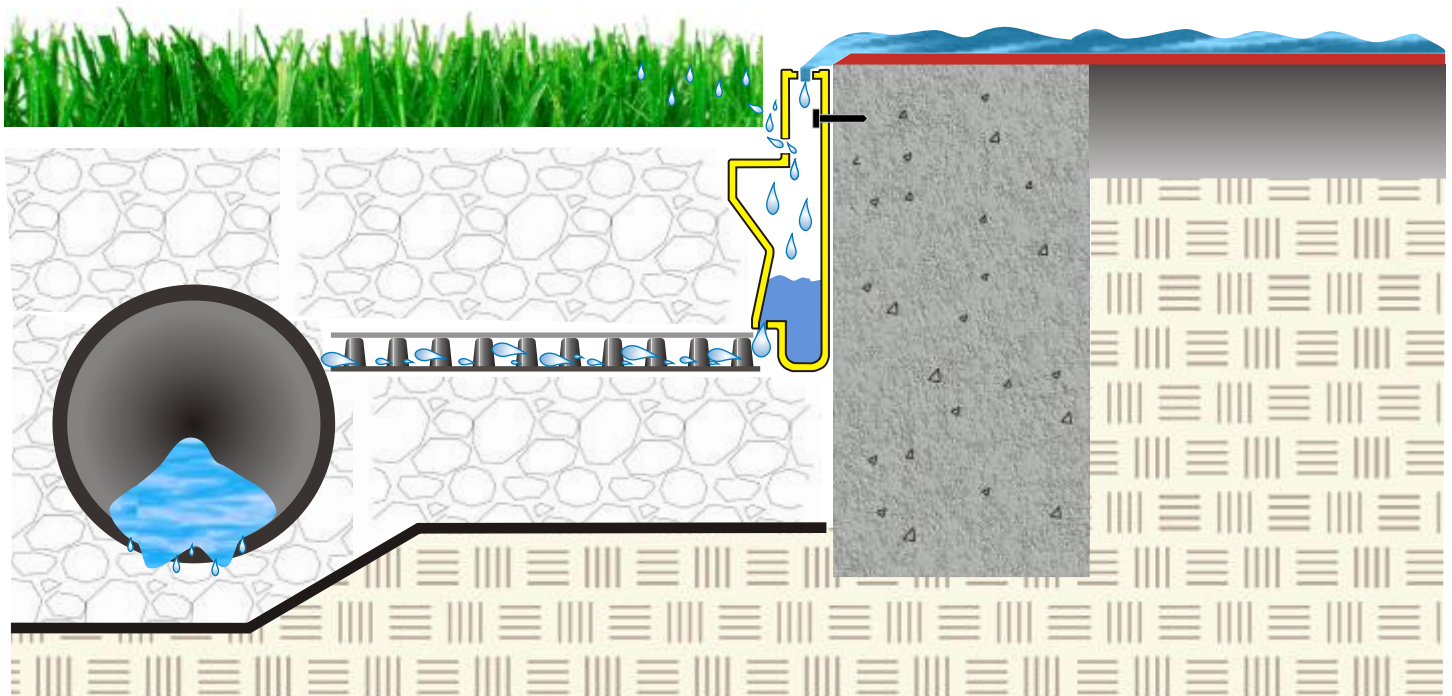


J-DRain[®] TurfEdge

Track & Turf Drainage / Turf Nailer

PATENT PENDING

THE NEXT GENERATION IN TRACK AND TURF DRAINAGE



Features:

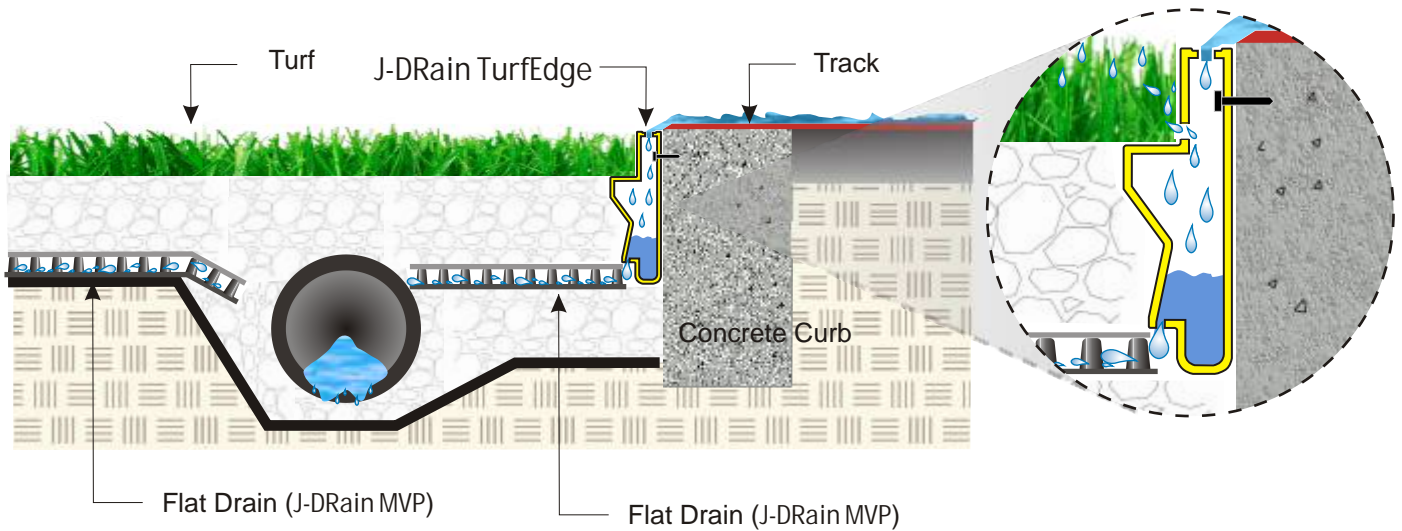
- ◆ QUICK & EASY INSTALLATION
- ◆ DURABLE, YET LIGHTWEIGHT POLYMERS
- ◆ TURF NAILER INCLUDED
- ◆ CATCH BASINS TO KEEP CHANNEL CLEAN OF DEBRIS
- ◆ HEAVY DUTY CROSS SECTION
- ◆ AFFORDABLE
- ◆ STRONG
- ◆ FLEXIBLE
- ◆ CHEMICAL RESISTANT

info@j-drain.com

www.j-drain.com

JDR Enterprises, Inc.

292 S. Main St., Suite 200 Alpharetta, GA 30009
(800) 843-7569 (770) 442-1461 Fax: (770) 664-7951

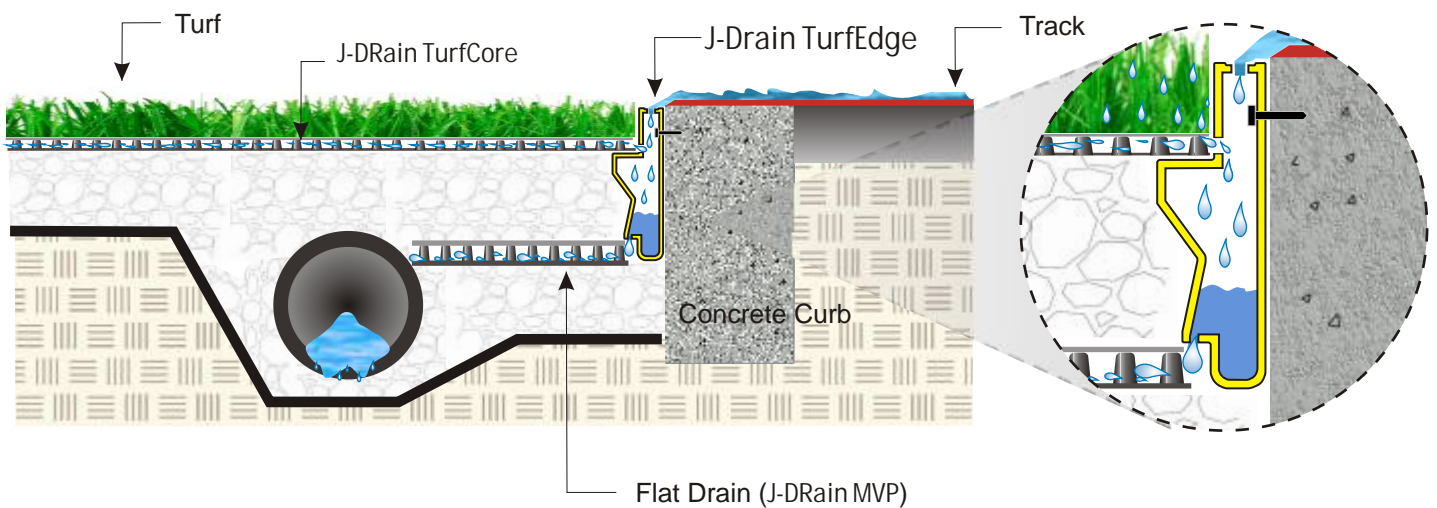


APPLICATION:

Synthetic Turf over 6" stone base with Perimeter Track.

DRAINAGE SYSTEM:

TurfEdge provides drainage for the Track and Turf simultaneously and transfers water to J-DRain MVP to the sideline pipe. Water penetrating the synthetic turf is collected by flat drains (J-DRain MVP) and transported across field to sideline pipe.



APPLICATION:

Synthetic Turf placed directly over J-DRain TurfCore with reduced thickness of stone base.

DRAINAGE SYSTEM:

TurfEdge provides drainage for the track, turf, and J-DRain Turfcore simultaneously and transfers water to J-DRain MVP and then on to the sideline pipe.

J-DRain® TurfEdge

J-DRain TurfEdge Methodology:

J-DRain TurfEdge is a Patent Pending revolutionary advancement in Track and Turf Drainage. Never before has there been an affordable and functional drainage system for this application. Consequently, many fields are passed over when it comes to track drainage due to budget concerns. The result of this leads to standing water on the track after heavy rainfalls and may lead to a damaging effect on the track itself. Never before has there been an economical solution that provides track drainage, turf drainage, and under turf drainage while providing a shelf for turf nailing. (See Fig. 1). Typical trench drains and catch basins collect water from the track and transport the collected water through the trench drain and carry it all the way to the catch basin and then it transitions to a pipe for removal. J-DRain TurfEdge collects water from the track and the turf and finds relief immediately through the Drain Holes (Fig.1) finding its way to the Perimeter Drain. The Bottom Collection area (Fig.1) collects trash and debris which is washed to the Catch Basin (Fig. 2) with the first flush of rainwater as the water is not able to escape through the Drainage Holes (Fig. 1) until the water level rises above the shelf where the Drainage Holes are positioned. The unique feature about J-DRain TurfEdge is that "water in" immediately seeks to exit as soon as the water level rises above the shelf and this water finds its way to the Perimeter Drain by way of a Flat Drain or just merely passing thru the gravel fill. The Catch Basin (Fig. 2) has a removable top (Fig. 2) for the removal of debris.

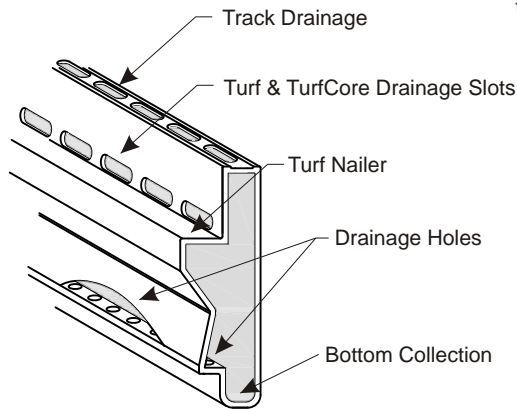


Fig. 1

Installation

J-DRain TurfEdge is provided in 8 ft. lengths for speed of installation. A 3/8 inch space is allowed between sections to provide easy control of expansion and contraction. A Joint Cover (Fig. 2) is installed over the joint to facilitate installation and provide a slip cover to prevent any material entering the drain section. Catch Basins are installed at intervals selected by the Design Engineer which is determined by local rainfall intensity. Catch Basins are held in place by the Joint Cover. Joint Covers are held in place with mechanical fasteners (Fig. 3). To facilitate installation, a Joint Cover is installed at 8 ft. Intervals at the joints with a Powder Actuated Nail (Fig. 3). A TapCon Screw is placed through the Joint Cover at the top as shown in Fig. 3. All sections and Catch Basins are installed in this manner until all sections are in place. The next installation step is to install TapCon Screws through Access Holes in the J-DRain TurfEdge

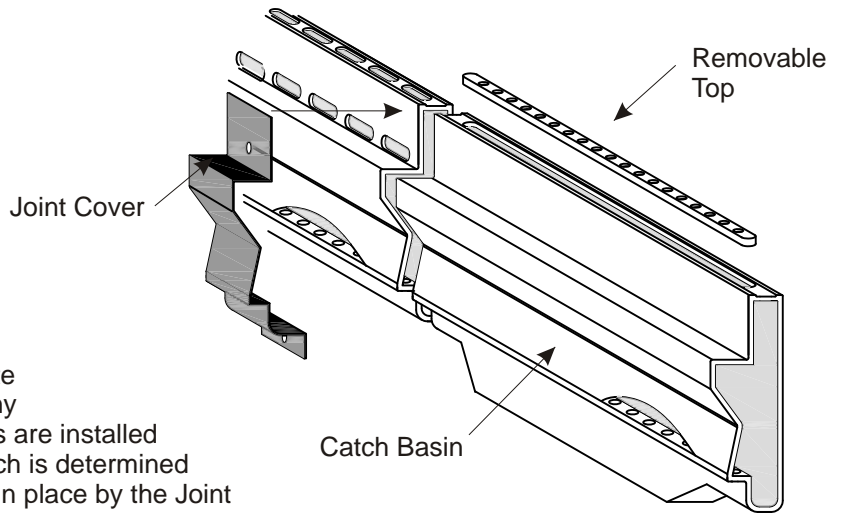


Fig. 2

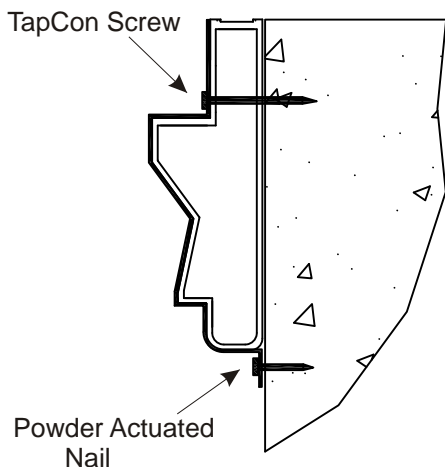


Fig. 3

as shown in Fig. 4. Three TapCon screws per section are required. A Snap-In Cover is then placed into all Access Holes as shown in Fig. 4.

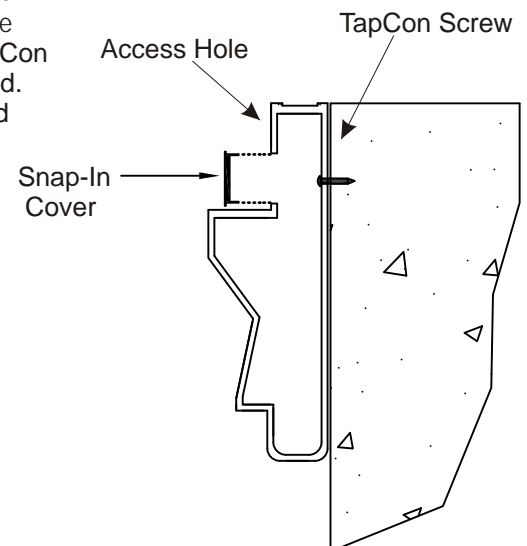


Fig. 4

J-DRain® TurfEdge

Physical Properties

Cell Class		
ASTM D4216 1-32433-33		
ASTM D3679 Class No. 2		
Properties*	Test Method	Typical Values
Specific Gravity, 0.02	ASTM D-792	1.46
Hardness, Shore D, 3	ASTM D-2240	79
Tensile Properties		
Tensile Strength@yield, psi	ASTM D-638	6 300
Tensile Modulus, psi		380 000
Flexural Properties		
Flexural Strength, psi	ASTM D-790	11 600
Flexural Modulus, psi		385 000
Impact		
Notched Izod, ft.-lb./inch	ASTM D-256	4.2
Dart Drop, Min. Failure**		Procedure A - 1.5
in.-lb./mil	ASTM D-4226	Procedure B - >6.00
Thermal Properties		
Heat Deflection Temp. @264 psi, F	ASTM D-648	163
Coefficient of Linear Expansion	ASTM D-696	3.6×10^{-5} in./in/F
Flammability		
Rate of Burning	ASTM D-635	HB Rating

*All tests conducted at 72 F unless otherwise stated

**Extruded at 380 to 390 F melt temperature

Note: Compound has shown to have good weathering performance under accelerated conditions and outdoor weathering.

The information contained herein is believed by JDR Enterprises, Inc. to be accurate and is offered solely for the customer's consideration, investigation and verification. Determination of suitability for use is the responsibility of the user.

Limitations: J-DRain TurfEdge is resistant to chemicals in normal environments. However, some reagents may affect the performance of J-DRain TurfEdge. A JDR representative should be contacted for further information to determine the suitability of use in unusual environments.

Limited Warranty: JDR Enterprises, Inc. (JDR) warrants its materials to be free from defects in workmanship and materials only at the time of shipment from our manufacturing facility. If any JDR materials prove to contain defects that substantially affect the performance of the product, JDR will, at its option, replace the material or refund its purchase price. This limited warranty is the only warranty extended by JDR with respect to its materials. There are no other warranties, including implied warranties of merchantability and fitness for a particular purpose. JDR specifically disclaims liability for any incidental, consequential, or damages to a structure or its contents, arising under theory of law whatsoever. The dollar value of JDR's liability and buyer's remedy under this limited warranty shall not exceed the purchase price of the JDR material in question.

Disclaimer: All information, drawings and specifications are based on the latest published information at the time of printing. JDR reserves the right to make changes due to manufacturing improvements and engineering at any time. All physical properties are minimum average roll values (MARV). Standard variations of 10% in mechanical properties and 15% in hydraulic properties are normal.

info@j-drain.com

www.j-drain.com

JDR Enterprises, Inc.

292 S. Main St., Suite 200 Alpharetta, GA 30009
(800) 843-7569 (770) 442-1461 Fax: (770) 664-7951